



LC785B Crawler Crane

The Maeda LC785 crawler crane manages a monstrous lift capacity of 4.9 tons while using no outriggers. The air conditioned cab is a pleasurable place to be while working with the machine and with near zero tail swing, this crawler crane is a class leader in safety on site.



More Images...



Features at a glance...

- 4.9 Ton Max capacity
- 16.35m Max Working Height (MWH)
- 20.3m (MWH) With Optional Fly Jib
- Blade
- 2000kg Pick & Carry Duty
- Minimal Tail Swing
- Fully Enclosed Air Conditioned Cab
- Steel Tracks (optional rubber pads)
- Variable (Hi/Low) Travel Speeds
- Programmable Moment Limiter
- Hydrostatic Transmission
- 4 Fall / 2 Fall Hook Block
- Tilt Sensor/Alarm
- Powerful Two Speed Winch
- Hydraulic Disc Brake
- 2 Year Warranty



Railway Maintenance



Restricted Access



Industrial Maintenance



General Lifting



Glazing

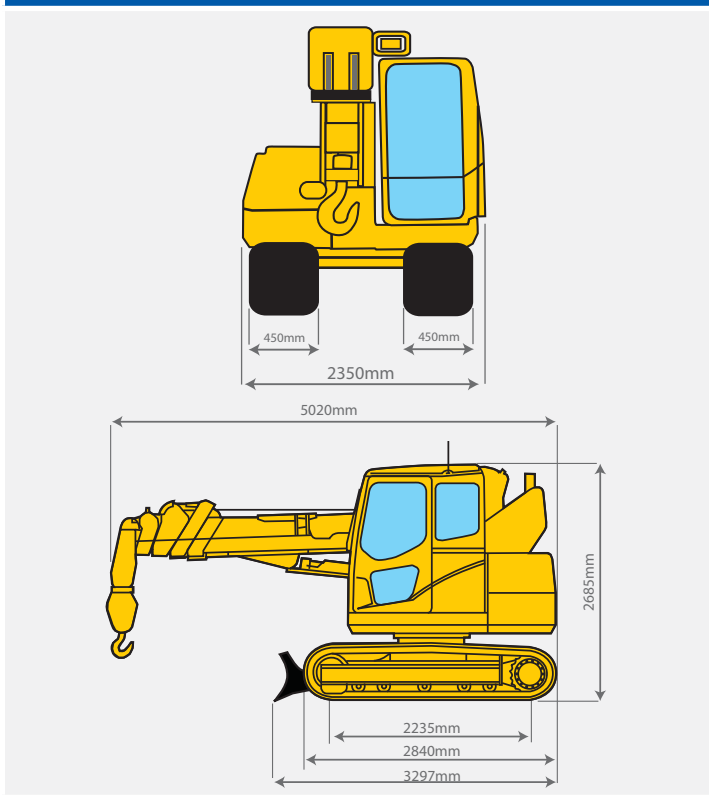
... consider the possibilities



Specifications		
Capacity	Maximum	4.9t x 2.1m
Working Radius	Maximum	14.52m x 200kg
Lifting Height	Maximum	16.35m x 1400kg (20.3m x 430kg with Fly-Jib)
Dimensions	LC785B	5020mm x 2350mm x 2685mm
Weight	LC785B	10250kg (10420kg with Fly-Jib)
Hook Speed	Two Speed	27/39m / min (4 falls, 4th layer)
Single Line Speed	Two Speed	108/156m / min (4th layer)
Hoist Rope	Type	IWRC 6 x Fi (29) Ø 10mm x 115m
Telescopic System	Boom length	4.63m - 15.63m
	Telescoping speed	11m / 24.5 sec.
	Boom type	Fully automatic 5 section pentagonal telescopic boom
Boom Hoist System	Hoist angle / speed	-2° to 80° / 12.5 sec.
Slew System	Slew angle / speed	360° continuous / 2.4 rpm
Drive	Type	Independent steering controls, hydraulic piston motor with built-in automatic brake, planet reduction gears and sprocket crawler.
Traction Speed	Low	0 - 2.5km/h
	High	0 - 3.8km/h
	Gradability	20°
Ground length x width	Ground length x width	2235mm x 450mm (Track dimensions)
	Ground pressure	0.51 kgf / cm ² (0.52 kgf / cm ² with Fly-Jib)
Engine	Model	Komatsu S4D95LE-3-A
	Type	4 cylinder diesel, water cooled, direct injection
	Rated output	40.5 Kw / 1850 rpm
	Starting method	Electric
Fuel tank capacity	Starting method	Electric
	Fuel tank capacity	Diesel / 141L
Standard Equipment	Moment limiter, steel tracks, overwind protection, hydraulic safety valves, level, EMO switch, working status lamp, air conditioning, 4-fall / 2-fall hook block, working light, hour-meter, inclination alarm and blade.	
Optional Equipment	Single fall hook block, black or white rubber pads and fly-jib.	

Maximum Reach Below Ground Level		
Four Fall	Two Fall	Single Fall
24.50m	50.50m	103.50m

Dimensions



Total rated load									
4.63m boom		7.38m boom		10.13m boom		12.88m boom		15.63m boom	
Working radius (m)	Total rated load (kg)	Working radius (m)	Total rated load (kg)	Working radius (m)	Total rated load (kg)	Working radius (m)	Total rated load (kg)	Working radius (m)	Total rated load (kg)
2	4900	2	4900	2	2600	2	2000	2	
2.5	3800	2.5	3760	2.5	2600	2.5	2000	2.5	1400
3	2900	3	2980	3	2310	3	2000	3	1400
3.5	2290	3.5	2420	3.5	2010	3.5	1890	3.5	1400
4		4	2000	4	1750	4	1650	4	1400
4.5		4.5	1670	4.5	1530	4.5	1450	4.5	1320
5		5	1400	5	1340	5	1280	5	1200
6		6	1000	6	1030	6	1010	6	990
7		7		7	780	7	800	7	820
8		8		8	580	8	630	8	680
9		9		9	410	9	500	9	560
10		10		10		10	390	10	450
11		11		11		11	300	11	360
12		12		12		12		12	280
13		13		13		13		13	210
14		14		14		14		14	200
14.52		14.52		14.52		14.52		14.52	200

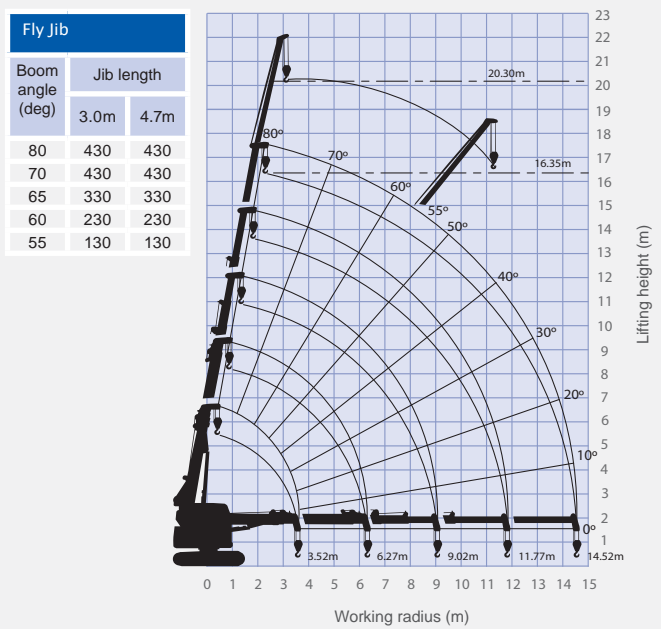
Pick & Carry Duties					
4.63m boom		7.38m boom		10.13m boom	
Working radius (m)	Total rated load (kg)	Working radius (m)	Total rated load (kg)	Working radius (m)	Total rated load (kg)
2	2000	2	2000	2	1400
2.5	2000	2.5	2000	2.5	1400
3	1670	3	1700	3	1360
3.5	1330	3.5	1380	3.5	1170
		4	1140	4	1020
		4.5	960	4.5	890
		5	810	5	770
		5.5	690	5.5	680
		6	590	6	590
		6.27	540	6.27	550
				6.5	510
				7	440
				7.5	380
				8	320
				8.5	270
				9	230
				9.02	230

Pick & Carry duties are available at boom lengths up to 10.13 metres.

The Total Rated Load Charts are based on the actual working radius including boom deflection. The weight of the hook (standard 4 fall - 90kg) must be included as part of the load shown in the Total Rated Load Charts.

When using two fall or single fall hooks, use the appropriate four fall Total Rated Load Chart above but with a maximum load of: Two Fall - 2450kg, Single Fall - 1220kg.

Working Range Diagram & Fly Jib total rated load chart



The Working Range Chart does not take into account boom deflection under load.



LC1385B Crawler Crane

The LC1385 is an innovative powerhouse. It boasts many market leading features including a massive 6 ton lifting capacity, 16.26m boom, optional fly jib with 0-60° offset, rear view camera and front blade as standard.



Features at a glance...

- 6 Ton Max capacity
- 16.70m Max Working Height (MWH)
- 22.0m (MWH) With Optional Fly Jib
- 2000kg Pick & Carry Duty
- Blade
- Programmable Moment Limiter
- Rear View Camera
- Steel Tracks (optional rubber pads)
- Hydrostatic Transmission
- Fully Enclosed Air Conditioned Cab
- 4 Fall / 2 Fall Hook Block
- Tilt Sensor/Alarm
- Powerful Winch
- Hydraulic Disc Brake
- Two Speed Winch
- Automatic Pentagonal Section Boom
- Minimal Tail Swing
- 2 Year Warranty

More Images...



... consider the possibilities



Specifications

Capacity	Maximum	6.0 t x 2.6m
Working Radius	Maximum	16.10m x 430kg
Lifting Height	Maximum	16.70m x 2600 kg (22m x 820kg with Fly-Jib)
Dimensions	LC1385B	6545mm x 2490mm x 2965mm
Weight	LC1385B	15640kg (15850kg with Fly-Jib)
Hook Speed	Two Speed	28/41m / min. (4 falls, 4th layer)
Single Line Speed	Two Speed	112/164m / min (4 layers)
Hoist Rope	Standard Optional	IWRC 6xFi (29) Ø 10mm x 115m IWRC 6xFi (29) Ø 10mm x 160m
Telescopic System	Boom length Telescoping speed Boom type	4.745 m - 16.265 m 11.52 m / 25 sec Fully automatic 5 section pentagonal telescopic boom
Boom Hoist System	Hoist angle / speed	-5° to 80° / 18 sec
Slew System	Slew angle / speed	360° continuous / 3.4 rpm
Drive	Type	Independent steering controls, hydraulic piston motor with built in automatic brake, planet reduction gears and sprocket crawler.
Traction speed	Low High Gradability Ground length x width Ground pressure	2.9 km/h 5.1 km/h 34° 2880mm x 500mm (Track dimensions) 0.54kg/cm2 0.55kgf / cm2 (With Fly-Jib)
Engine	Model Type Rated output Starting method Fuel tank capacity	KOMATSU SAA4D95LE-5 4 cylinder diesel, water cooled, direct injection 68.4 Kw / 2,200 rpm Electric Diesel/195L
Standard Equipment	Moment limiter, steel tracks, overwind protection, hydraulic safety valves, level, EMO switch, working status lamp, working light, hour meter, inclination alarm, air conditioning, 4-fall / 2-fall hook block, blade, rear view camera.	
Optional Equipment	Single fall hook, rubber pads, fly-jib.	

Total rated load

4.745m boom		7.625m boom		10.505m boom		13.385m boom		16.265m boom	
Working radius (m)	Total rated load (kg)	Working radius (m)	Total rated load (kg)	Working radius (m)	Total rated load (kg)	Working radius (m)	Total rated load (kg)	Working radius (m)	Total rated load (kg)
2	6000	2	6000	2	3000	2	N/A	2	N/A
2.5	6000	2.5	6000	2.5	3000	2.5	3000	2.5	N/A
3	5250	3	5260	3	3000	3	3000	3	2600
3.5	4450	3.5	4460	3.5	3000	3.5	3000	3.5	2600
4	3830	4	3820	4	3000	4	3000	4	2600
4.5	3320	4.5	3310	4.5	3000	4.5	3000	4.5	2600
5		5	2880	5	2710	5	2640	5	2600
6		6	2210	6	2140	6	2100	6	2080
7		7	1720	7	1720	7	1710	7	1710
8		8		8	1400	8	1430	8	1430
9		9		9	1150	9	1200	9	1210
10		10		10	940	10	1020	10	1040
11		11		11		11	880	11	890
12		12		12		12	750	12	770
13		13		13		13	650	13	670
14		14		14		14		14	580
15		15		15		15		15	500
16		16		16		16		16	440
16.1		16.1		16.1		16.1		16.1	430

Pick & Carry Duties

4.745m boom		7.625m boom		10.505m boom	
Working radius (m)	Total rated load (kg)	Working radius (m)	Total rated load (kg)	Working radius (m)	Total rated load (kg)
2	2000	2	2000	2	1500
2.5	2000	2.5	2000	2.5	1500
3	2000	3	2000	3	1500
3.5	2000	3.5	2000	3.5	1500
4	1915	4	1910	4	1500
4.5	1660	4.5	1655	4.5	1500
		5	1440	5	1355
		5.5	1260	5.5	1200
		6	1105	6	1070
		7	860	7	860
				7.5	775
				8	700
				8.5	635
				9	575
				10	470

Pick & Carry duties are available at boom lengths up to 10.505 metres.

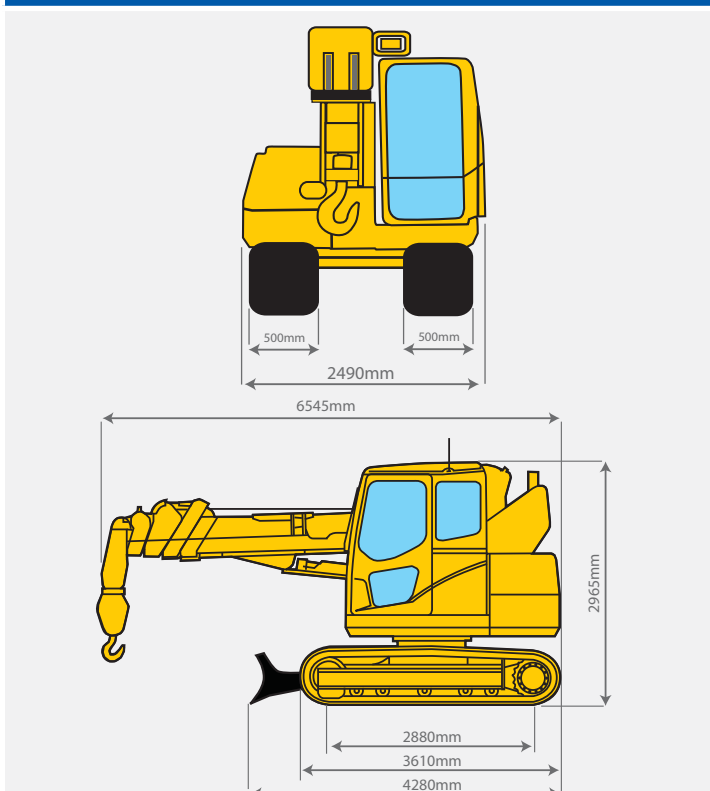
The Total Rated Load Charts are based on the actual working radius including boom deflection. The weight of the hook (standard 4 fall - 90kg) must be included as part of the load shown in the Total Rated Load Charts.

When using two fall or single fall hooks, use the appropriate four fall Total Rated Load Chart above but with a maximum load of: Two Fall - 3000kg, Single Fall - 1500kg.

Maximum Reach Below Ground Level

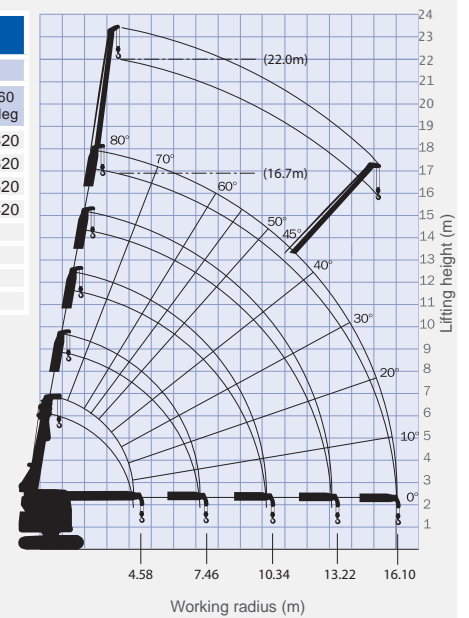
Four Fall	Two Fall	Single Fall
24.50m	50.50m	103.50m

Dimensions



Working Range Diagram & Fly Jib total rated load chart

Boom angle (deg)	Jib tilt angle			
	0 deg	20 deg	40 deg	60 deg
80	820	820	620	620
75	820	820	620	620
70	720	720	520	520
65	620	620	420	420
60	420	420		
55	420	420		
50	320	320		
45	220	220		



The Working Range Chart does not take into account boom deflection under load.